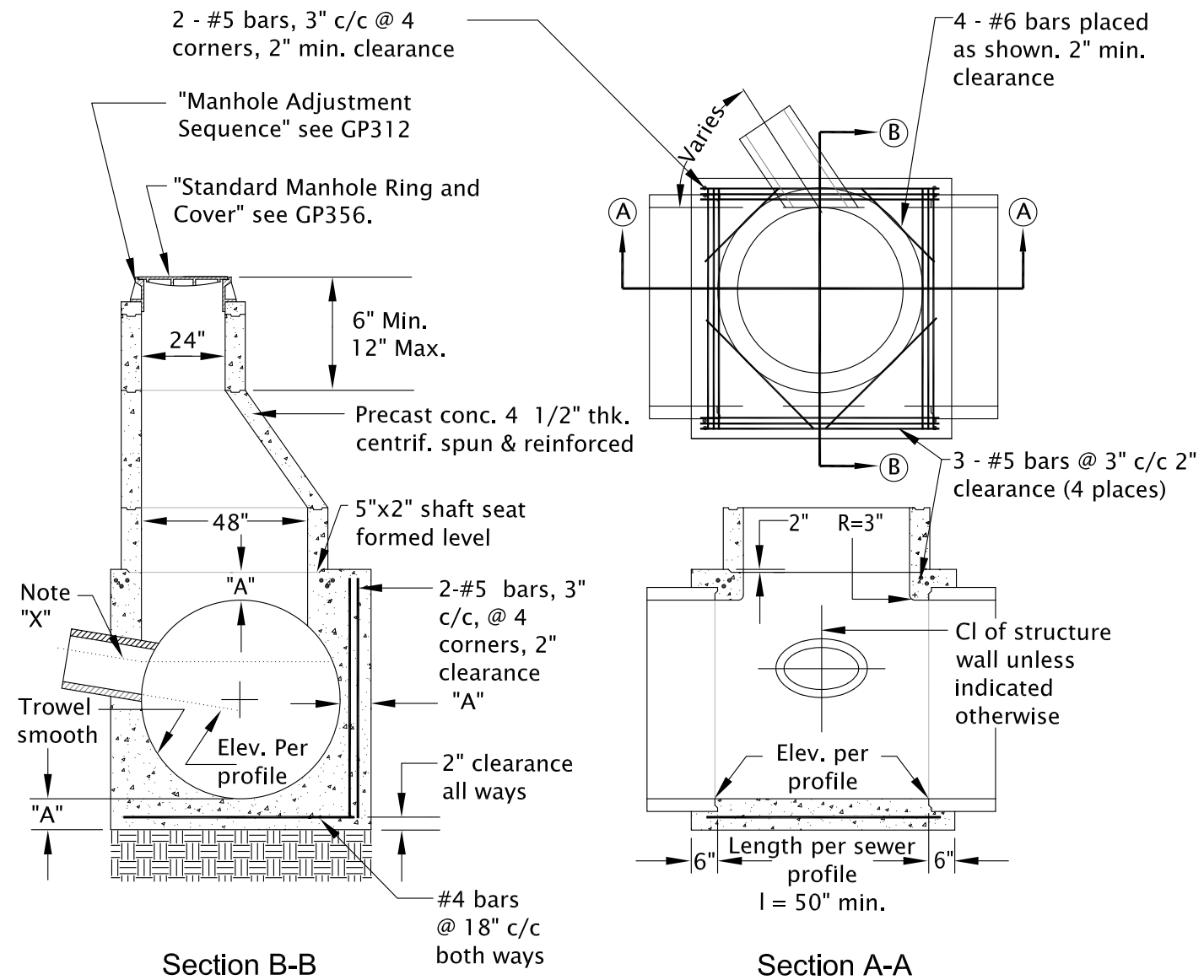


General Notes:

1. See concrete standards page for additional requirements.
2. Set joints inside & out 1:2 mortar, alternate: butyl joint sealant ST-8, 1" wide, meeting Fed. Spec. SS-5-00210 (CSA-FSS).
3. Form straight "U" channel with smooth, vertical mortar side. 1/2 pipe acceptable.
4. Make angular changes with uniform "U" channel, with smooth curved path.
5. Finish pipe ends flush with inside walls.
6. Make changes in channel size with a smooth, tapering transition.
7. Provide manufactured flex joint within 12" of outside wall for all rigid pipes by the use of appropriate "Romac" couplings.
8. When PVC is used, provide manufactured water stop. Flex joint not permitted.
9. Sand collars required with poured in place manhole base is used.
10. If pipe dia. is greater than 42", "Special Manhole Structure" Std. Dwg. GP308 required.
11. Drop manhole required where slope of incoming lateral exceeds 2% grade, see Std. Dwg. GP352
12. Straight face of eccentric manhole section to face downstream.
13. Ring and cover to project 6" above adjacent ground in unimproved areas or to be flush with finished pavement surface.
14. Flat top manhole may be installed when distance from rim to flow line is less than 4'-6" and with prior approval of City Engineer, see Std. Dwg. GP309.
15. Sewer service laterals shall not be connected directly to manholes.
16. Water tight lid required in flood plain, otherwise use "2-hole" lid



| | |
|---------------|-----|
| Pipe diameter | "A" |
| 60" or less | 9" |
| 72" and over | 12" |

Note "X":
Match 2/3 line of all pipes unless otherwise indicated on profile.

| | | | |
|--|-------|-----------|---------|
| The selection and use of this standard drawing, while designed in accordance with generally accepted engineering principles and practices, is the sole responsibility of the user. | | | |
| Designed By: | STAFF | | |
| Drawn By: | KJD | | |
| Checked By: | MPT | | |
| Approved: | JMC | | |
| No. | Date | Revisions | App. By |
| | | | |
| | | | |
| | | | |



CITY OF GRANTS PASS
101 Northwest 'A' Street
Grants Pass, OR 97526
(541) 450-6060 ph (541) 476-9218 fax

SPECIAL STRUCTURE MANHOLE

2018

DWG. NO. GP308