

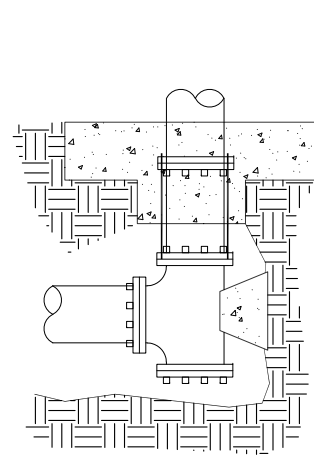
VOLUME OF THRUST BLOCK IN CUBIC YDS.
(For Vertical Bends)

FITTING SIZE	BEND ANGLE		
	45°	22.5°	11.25°
6"	1.1	0.5	0.4
8"	1.9	1.0	0.5
10"	3.0	1.5	0.8
12"	4.3	2.2	1.1
16"	7.6	3.9	1.9
20"	11.9	6.1	3.0
24"	17.1	8.7	4.4

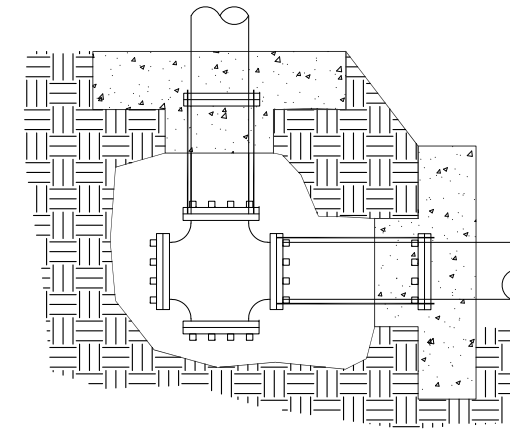
RODS FOR VERTICAL BENDS		
FITTING SIZE	ROD SIZE	EMBEDMENT
0-12"	#6	30"
14"-16"	#8	36"
20"-24"	(4) #8	42"

BEARING AREA OF THRUST BLOCKS IN SQ. FT.					
FITTING SIZE	TEE & WYE	90° BEND PLUGGED CROSS TEE PLUGGED ON RUN	45° BEND	22.5° BEND	11.25° BEND
4"	L3	1.8	1.0		
6"	2.8	4.0	2.2	1.1	
8"	5.0	7.1	3.8	2.0	1.0
10"	7.9	11.1	6.0	3.1	1.5
12"	11.3	16.0	8.7	4.4	2.2
16"	20.1	28.4	15.4	7.8	3.9
20"	31.4	44.4	24.0	12.3	6.2
24"	45.2	64.0	34.6	17.7	8.9

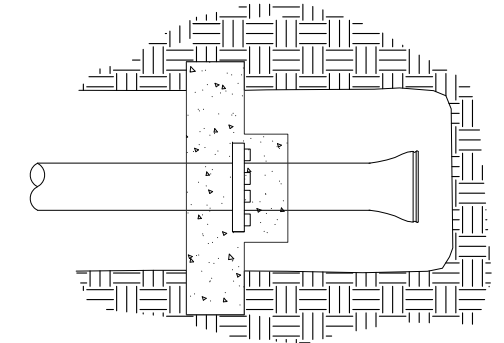
VALUES BASED ON 200 P.S.I. WATER PRESSURE @ 2000 P.S.F. SOIL BEARING CAPACITY.



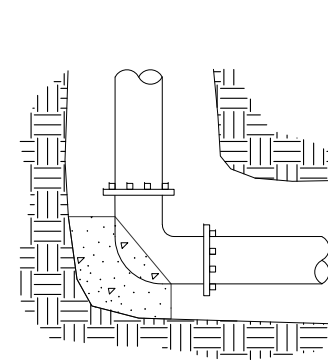
TEE



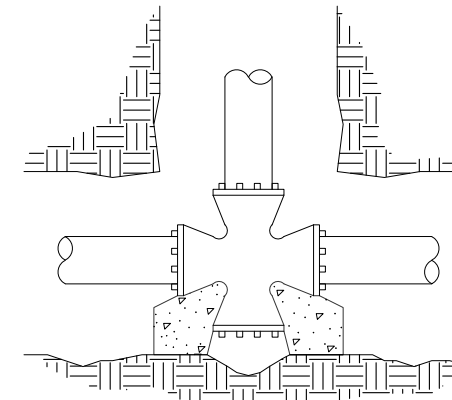
CROSS



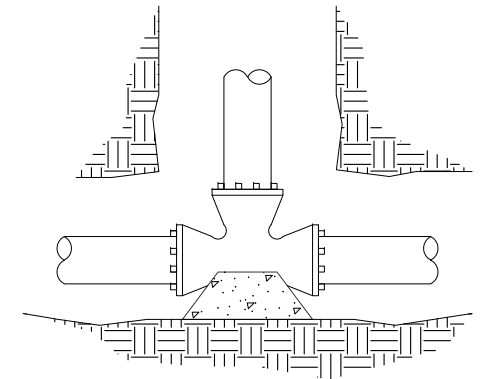
STRADDLE
(Per GP216)



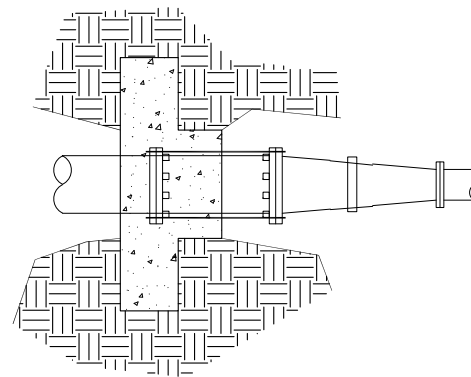
BEND



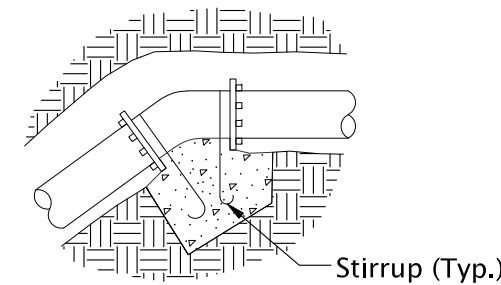
CROSS



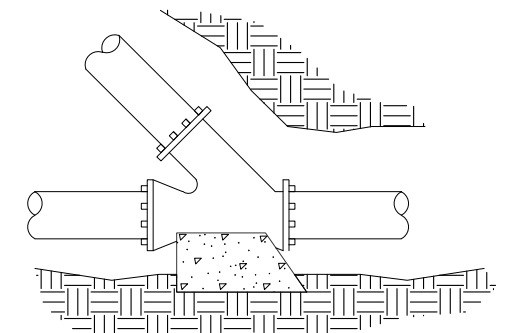
TEE



THRUST COLLAR



CONVEX
VERTICAL BEND
(See Table C)



WYE

THRUST BLOCKING

General Notes

1. All concrete to be placed against undisturbed earth.
2. Concrete shall be placed in forms. Forms to be removed prior to backfilling.
3. For all thrust blocks concrete shall cure min. of 72 hours before pressure test.
4. Rods and rebar exposed to soil shall be zinc coated.
5. Fittings to be covered with plastic prior to concrete placement. Bolts shall remain accessible.
6. See concrete standards page for additional requirements.

The selection and use of this standard drawing, while designed in accordance with generally accepted engineering principles and practices, is the sole responsibility of the user.		Designed By: STAFF
		Drawn By: KJD
		Checked By: MPT
		Approved: JMC

No.	Date	Revisions	App. By



CITY OF GRANTS PASS
101 Northwest 'A' Street
Grants Pass, OR 97526
(541) 450-6060 ph (541) 476-9218 fax

THRUST AND ANCHOR BLOCK

2018

DWG. NO. GP250